



Installation Instructions

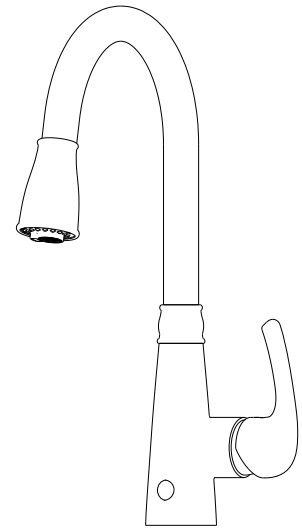
Moorea

KA-900-30

Single Handle Dual Sensor Kitchen Faucet

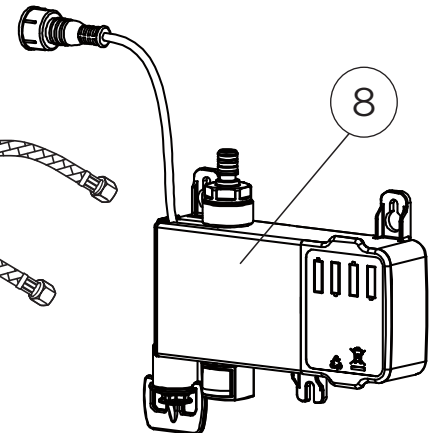
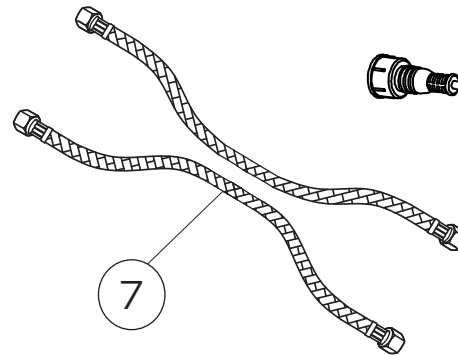
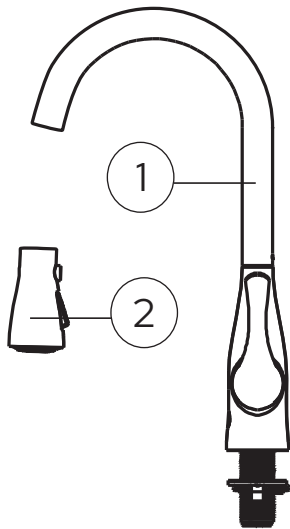
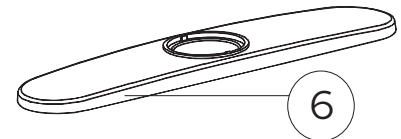
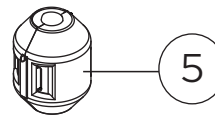
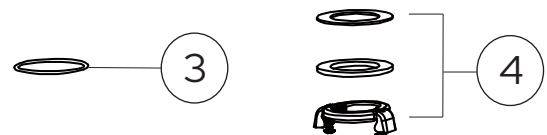
Thank you for selecting Lulani.

To ensure that your installation proceeds smoothly, please read these instructions carefully before you begin.



Parts Included

1. Faucet
2. Spray head
3. Above sink hardware: rubber o-ring
4. Below sink hardware: rubber washer, metal washer, mounting nut
5. Counterweight
6. Escutcheon (8" Baseplate)
7. Water supply lines
8. Control box



Recommended Tools (not included)

- | | |
|-------------------------|--------------------|
| 1. Adjustable Wrench | 6. Measuring Tape |
| 2. Phillips Screwdriver | 7. Plumber's Putty |
| 3. Safety Goggles | 8. Channel Locks |
| 4. Flashlight | 9. Allen Key |
| 5. Bucket | 10. Zip Tie |



Caution: Tips for removal of old faucet

Always turn off the water supply before removing the existing faucet or replacing any part of the faucet. Open the faucet handle to relieve water pressure and ensure that water is completely shut off.

Maintenance

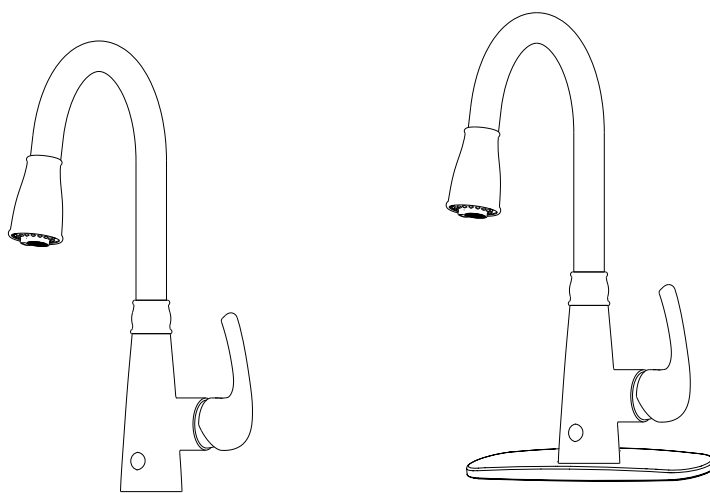
Your new faucet is designed for years of trouble-free performance. Keep it looking new by cleaning it periodically with a soft cloth. Avoid abrasive cleaners, steel wool, and harsh chemicals as these will dull the finish and void your warranty.

Step 1

Your faucet will arrive without the base attached. If you want to use the 3-hole base plate, simply slide the faucet threads through the hole of the base plate.

Determine what type of base you'll need for installation. Does your sink have 1 hole or 3 holes? If your sink has more than 1 hole and you want to cover up the additional holes, consider using the provided base plate. Optional accessories like soap dispensers can also be used in the additional holes.

Note that the sink hole should be $1\frac{3}{8}$ " in diameter.



1-hole without base

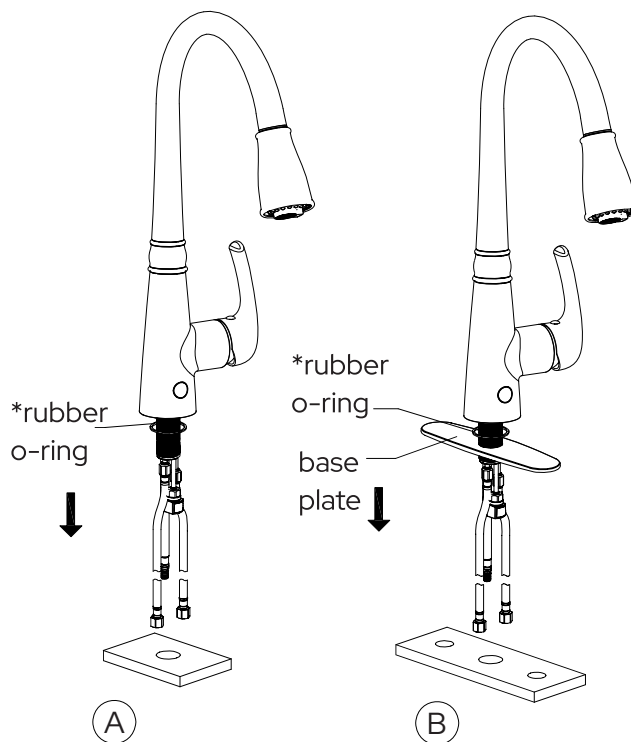
3-hole with base

Step 2

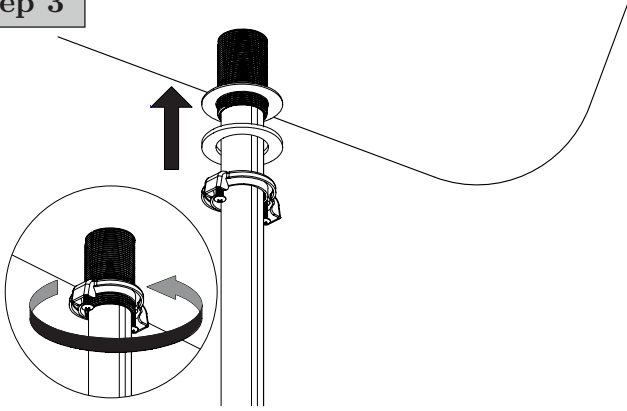
A. For 1-hole installation, insert the faucet through the hole on the sink.

B. For 3-hole installation, insert the faucet in to the base plate and then through the hole on the sink.

*Note: Make sure that the rubber o-ring stays above the mounting surface for 1-hole installation or between the faucet and base plate for 3-hole installation.

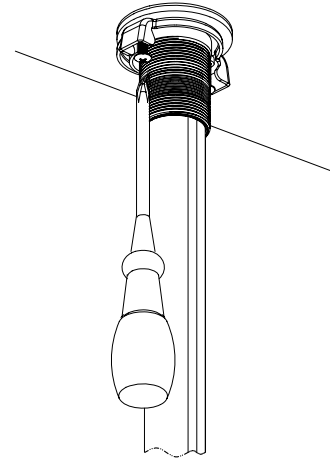


Step 3



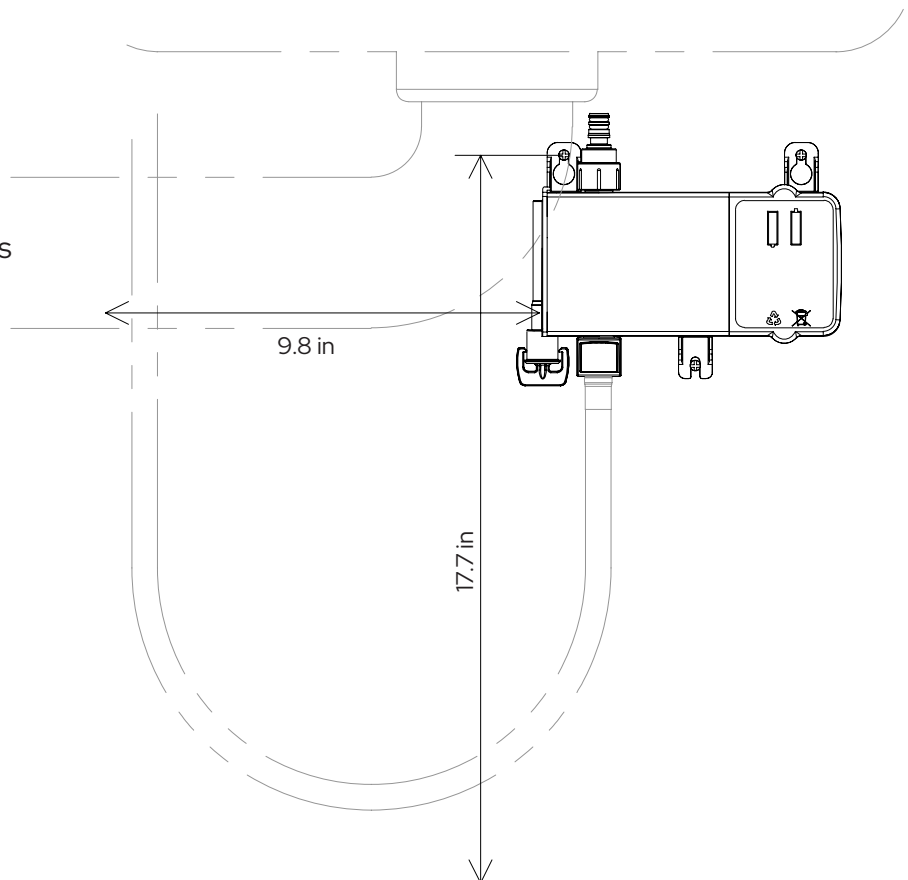
Slide the rubber gasket first, the metal washer second, and then the mounting nut in sequence over the hoses and the data cable on to the shank and firmly hand tighten.

Use a Phillips Head screwdriver to thread the 2 screws for further security.



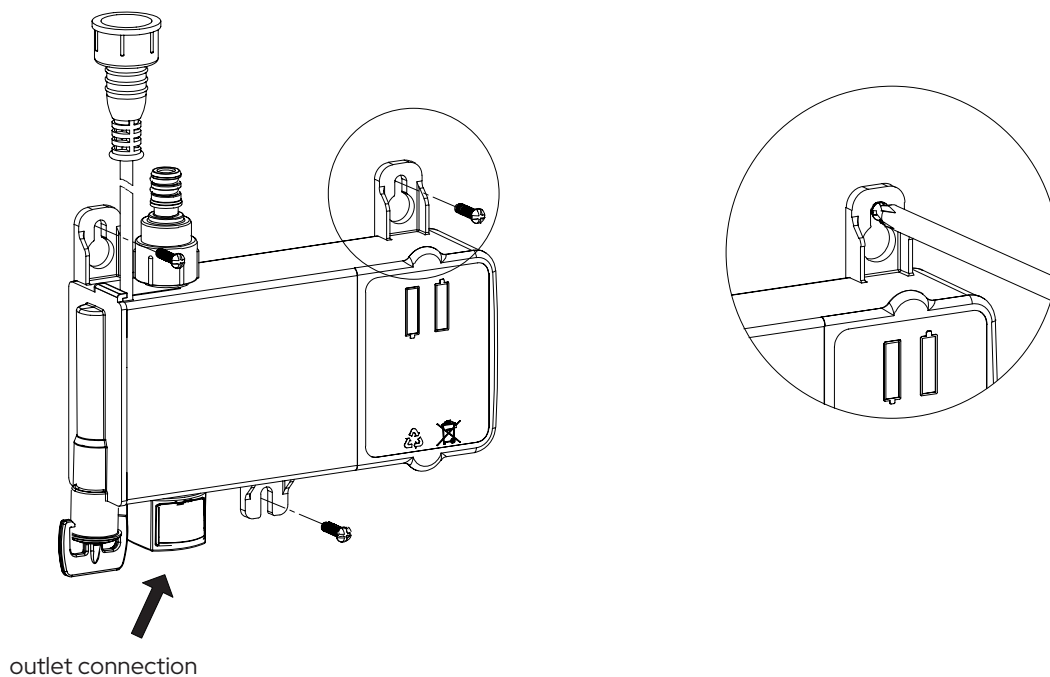
Step 4

The preferred mounting distance between the spray hose and the control box is 9.8 in, whereas the preferred mounting distance from the control box to the floor is 17.7 in. The dimensions shown in the figure is a preferred mounting distance for the control box (the dimension is adjustable for better performance).



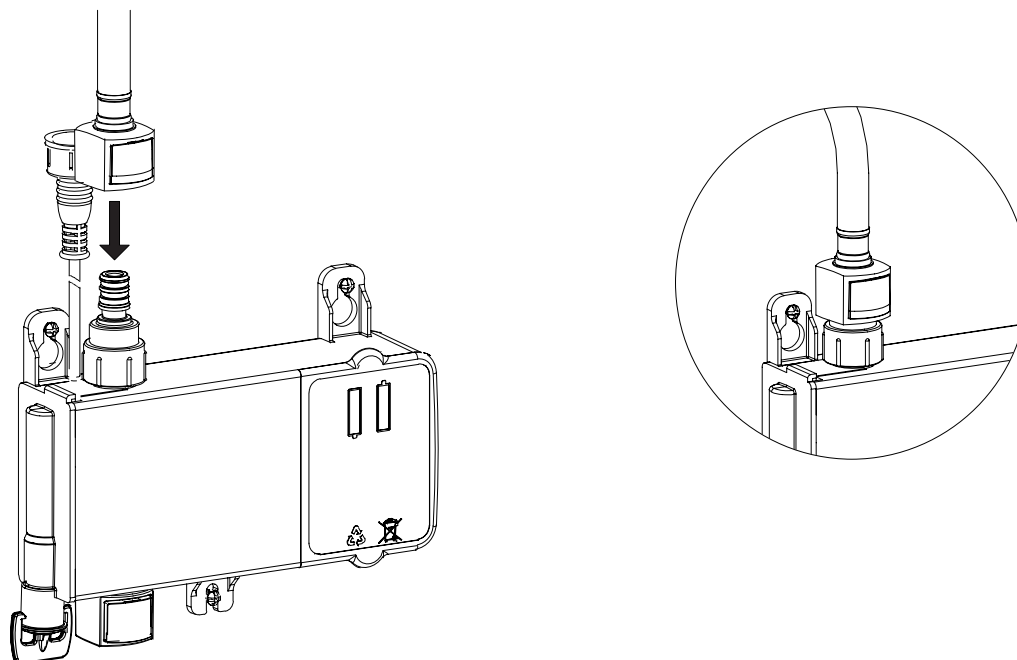
Step 5

Mount the control box under the sink with a Phillips Screwdriver according to the reference dimensions, leaving some room for adjustment.



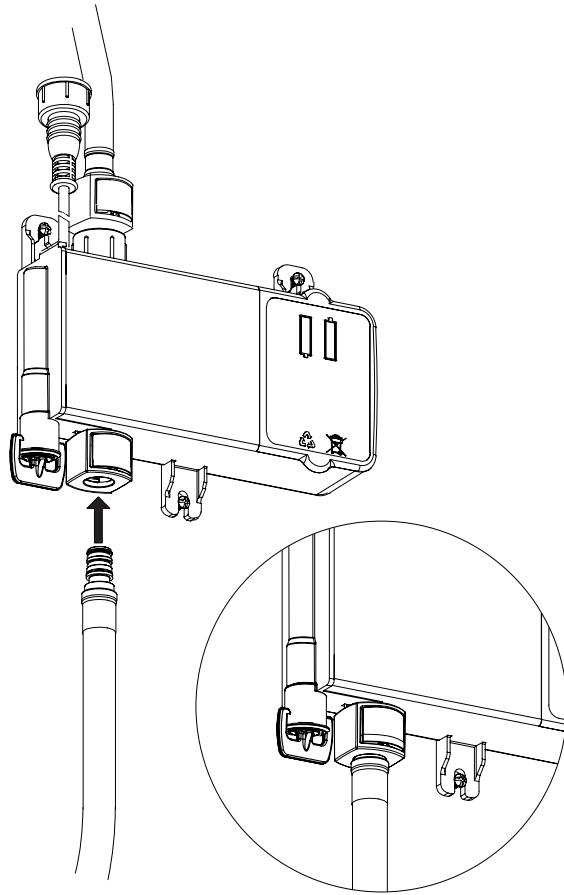
Step 6

Connect the outlet hose to the control box with our innovative "quick connection".



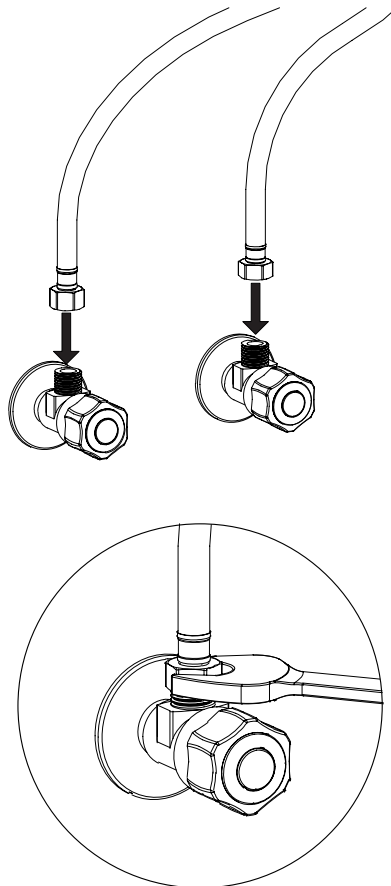
Step 7

Connect the spray hose to the control box.



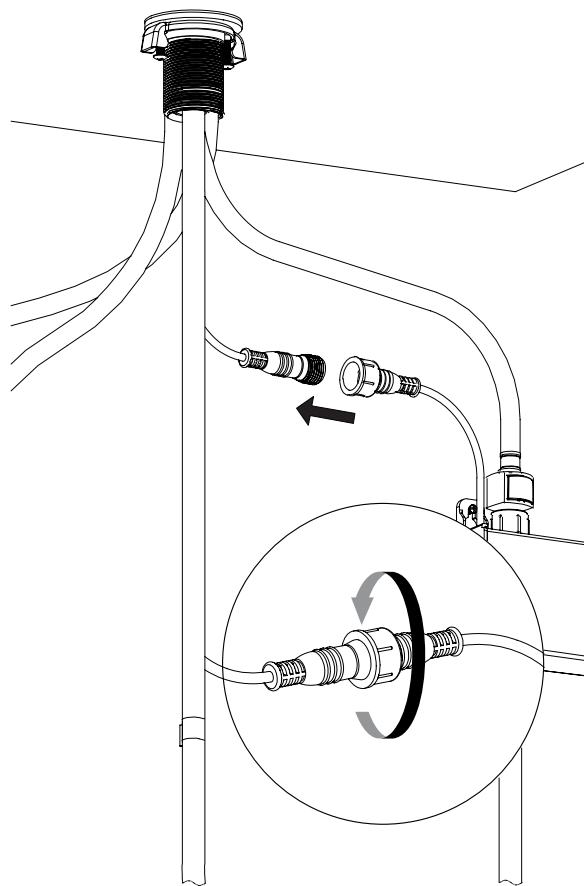
Step 8

Connect the hot & cold supply lines on to the matching water valves and secure the connection with an adjustable wrench.



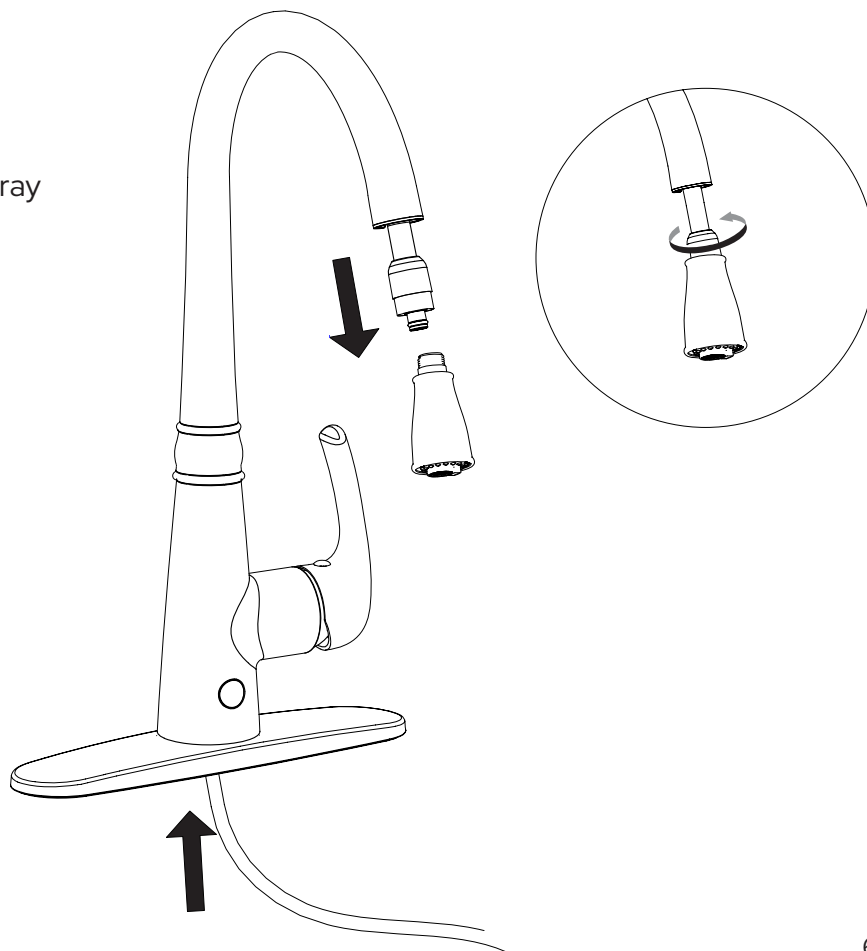
Step 9

Connect the data cables and thread by hand.



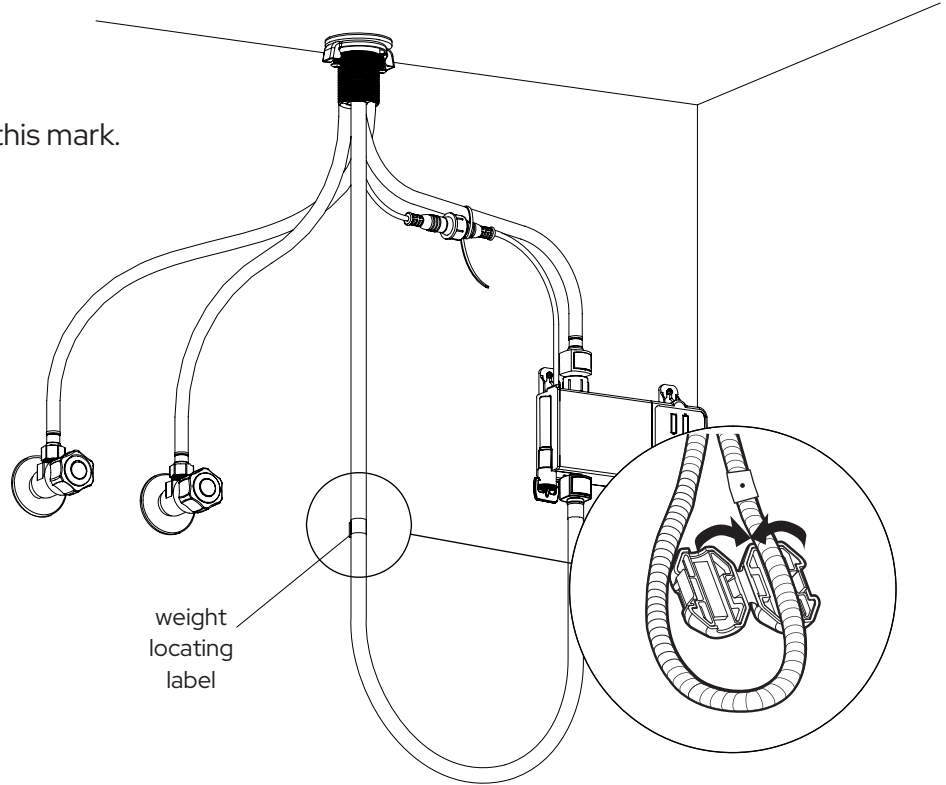
Step 10

Push the pull-down hose up through the bottom of the faucet until the end appears through the top of the spout. Attach the spray head by hand twisting on.



Step 11

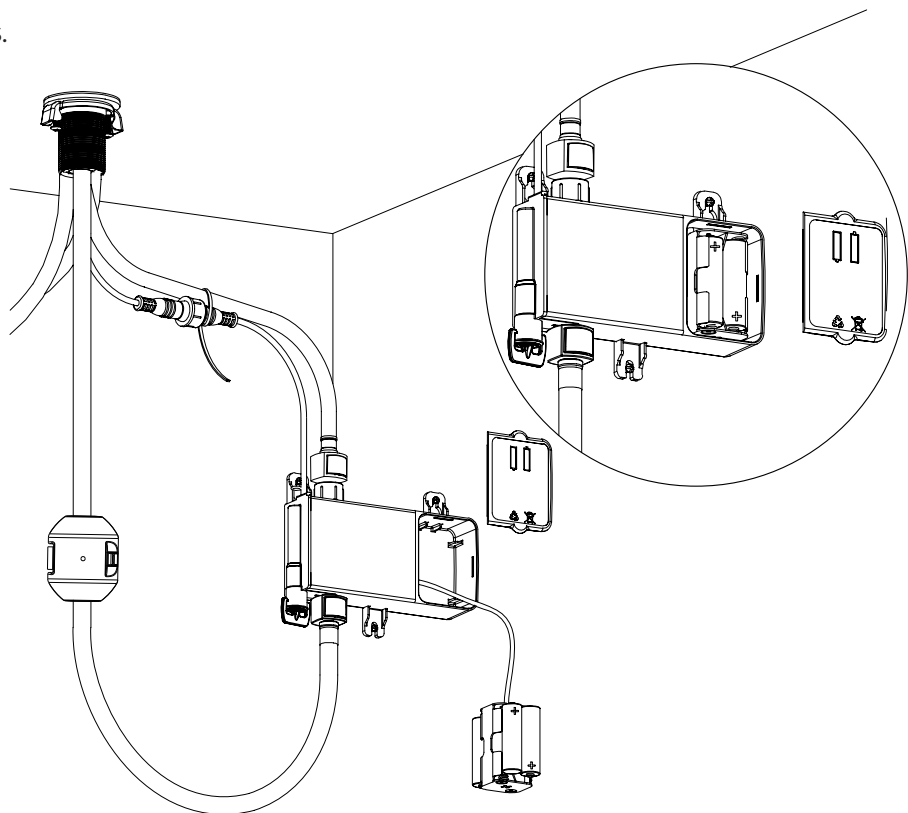
Install the counterweight on the pull-down hose at the marked position. The weight should be placed between this mark.



Step 12

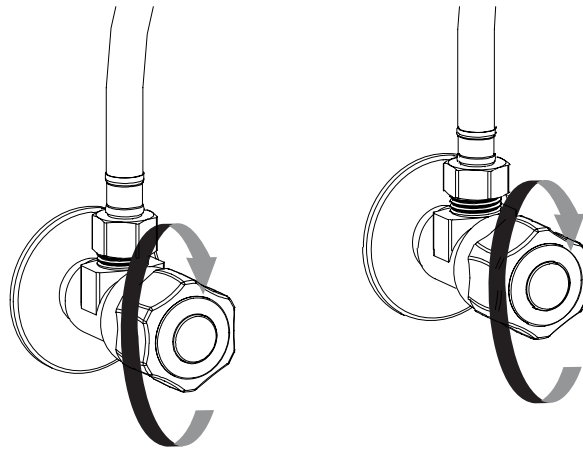
Remove the battery pack cover and take out the battery pack. Insert 4 AA batteries. Put the battery pack back in the control box and firmly replace the cover. The batteries should be charged or changed when the sensor flashes a red light.

*Note: Batteries not included.



Step 13

When installation steps 1-13 are completed, turn the hot & cold water inlets back on.



Step 14

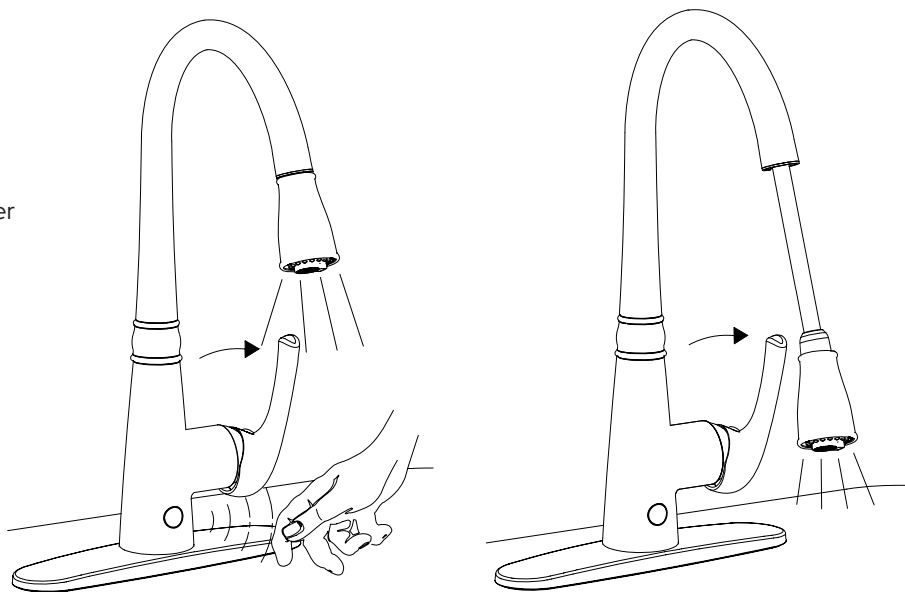
To test the various ways to use the sensor features, turn the faucet's handle to the "on" position (pull the level outwards/away from the faucet).

*Note: The handle MUST be turned on in order for the sensor features to work.

1. Wave your hand in front of the sensor to turn the water on. The water temperature changes by manipulating the handle from front to back. If you keep the water running, it will stop automatically after 3 minutes. The infrared sensor stops working for another 3 minutes after automatic shutoff is enabled. The sensor will function again after this time period is finished. Check for any leaks.

2. Pull out the spray head to turn the faucet on. Slide the spray head back to its original position to turn the water off.

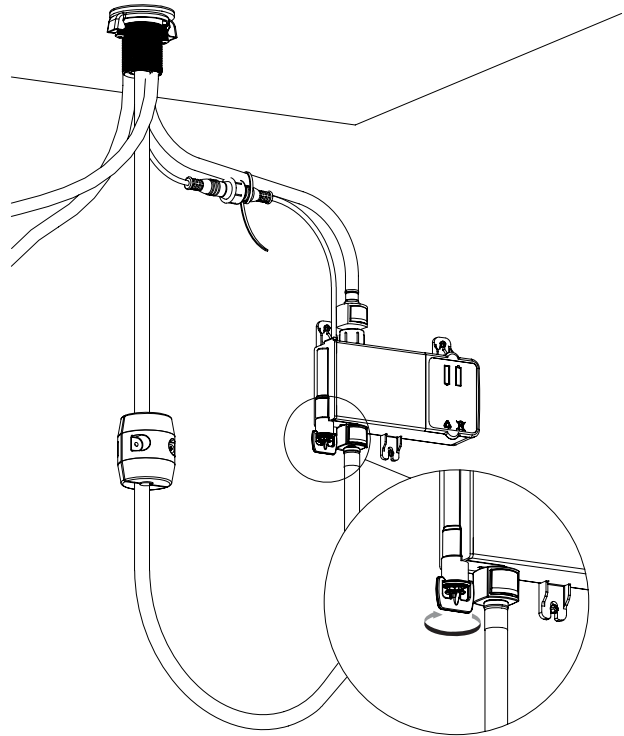
Repeat these operations several times to check for potential issues. If no issues are found, the faucet is ready for use.



*Note: The handle MUST be turned on in order for the sensor features to work.

Step 15

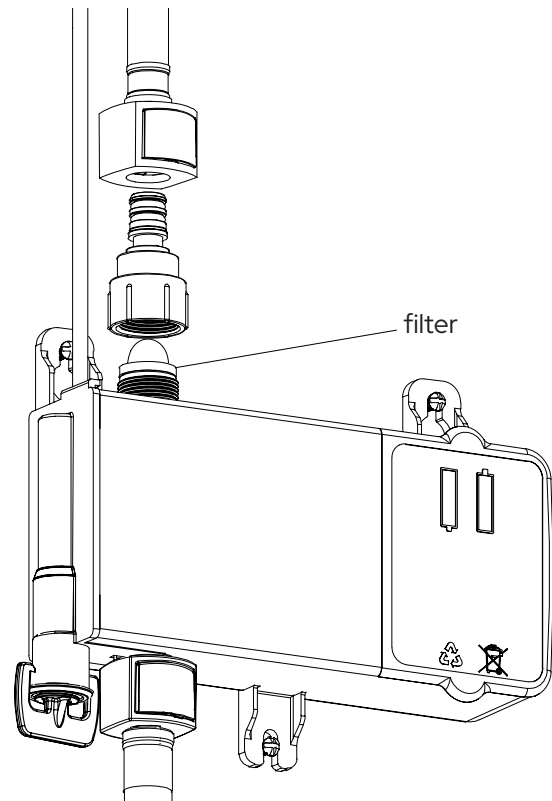
For manual operation, turn the knob beneath the control box counter-clockwise to the end (as shown in the figure). The sensor will be disabled and the faucet will be operational by the handle only.



Step 16

If the water flow rate is lower than normal, there may be build up on the filter. Shut off the water valves and remove the outlet hose from the control box and unscrew the inlet adaptor from the control box. Take out the filter and clean it. Reassemble the outlet hose connector, inlet adaptor, and screen filter.

It's recommended to turn the handle off when the faucet will not be in use for an extended amount of time.



Congratulations! You've successfully finished installing your new faucet. For troubleshooting questions or concerns, please reference the Owner's Manual or visit our website at www.lulani.com.

We value your opinion! Don't forget to leave us a review.